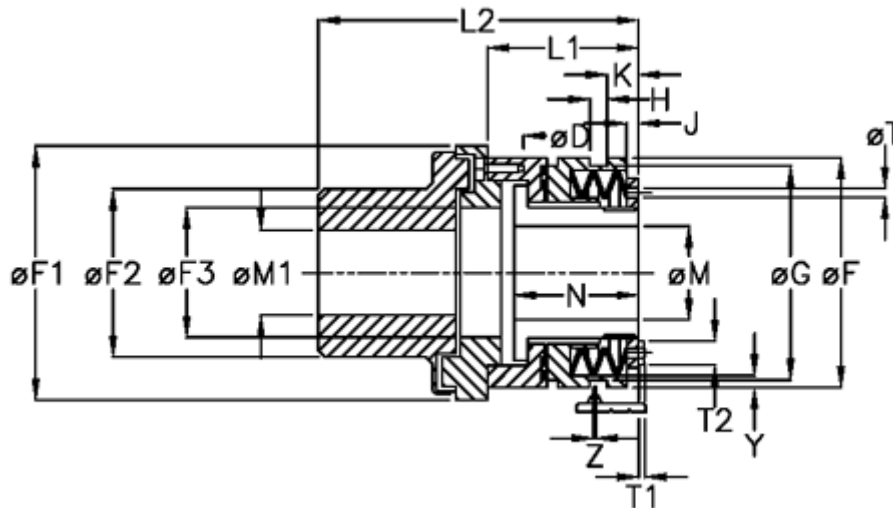


Article number: 46934543

Description: Torque limiter Synchron D 45 L

Measures



D	= 6xM8	H	= 10	T1	= 4.0
Disc spring mounting	= 5x1L	J	= 9.0	T2	= 10
Disc spring version	= L - heavy	K	= 20.0	Y	= 2
F	= 120	L1	= 78.0	Z	= 0.0
F1	= 128	L2	= 176.0		
F2	= 90	M1 max	= 60		
F3	= 70	M max	= 45		
G	= 112.0	M min	= 18		